

Approval body for construction products
and types of construction

Bautechnisches Prüfamt

An institution established by the Federal and
Laender Governments



European Technical Assessment

ETA-08/0262
of 17 October 2017

English translation prepared by DIBt - Original version in German language

General Part

Technical Assessment Body issuing the
European Technical Assessment:

Deutsches Institut für Bautechnik

Trade name of the construction product

SFS intec Flat Roof Fasteners

Product family
to which the construction product belongs

Fasteners for flexible roof waterproofing systems

Manufacturer

SFS intec AG
FasteningSystems
Rosenbergsaustraße 10
9435 HEERBRUGG
SCHWEIZ

Manufacturing plant

Factory 1 to factory 15, factory 18 to factory 23

This European Technical Assessment
contains

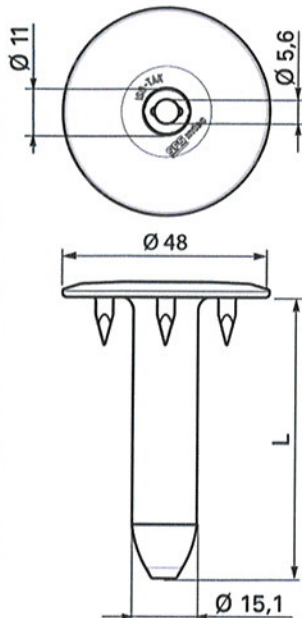
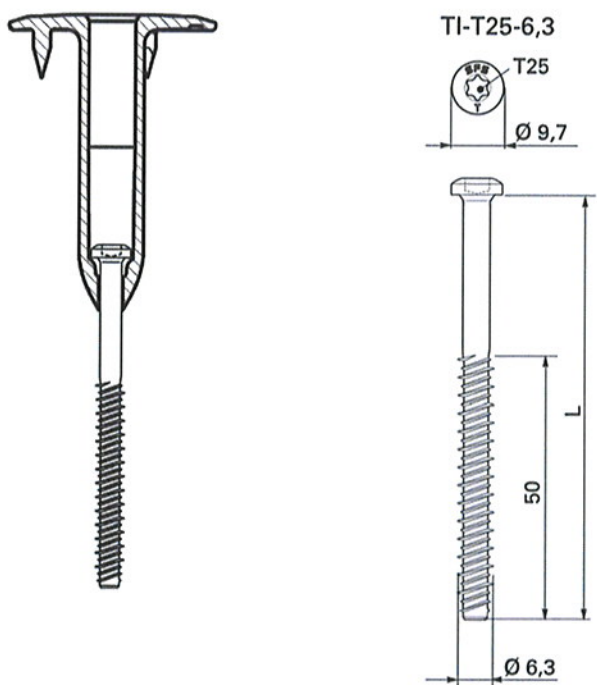
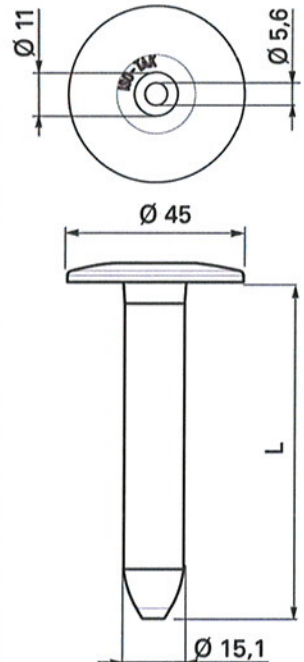
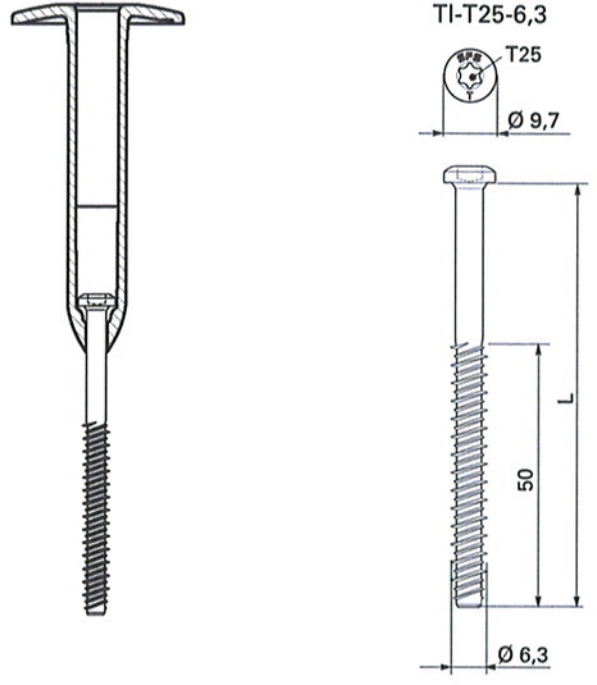
114 pages including 109 annexes which form an integral
part of this assessment

This European Technical Assessment is
issued in accordance with Regulation (EU)
No 305/2011, on the basis of

ETAG 006,
used as EAD according to Article 66 Paragraph 3 of
Regulation (EU) No 305/2011.

This version replaces

ETA-08/0262 issued on 25 April 2013

Combination 27A TI-T25-6,3 / R48-3N	Combination 27B TI-T25-6,3 / R45
<p>R48-3N</p>  	<p>R45</p>  
<p>SFS intec flat roof fasteners</p>	<p>Annex 27</p>

Combination	SFS intec flat roof fastener		Characteristic axial loading resistance $N_{R,k}$ [kN] for non-metallic substructures												
			Timber			Concrete EN 206-1				Aerated Concrete DIN 4223-1			Pumice Panel EN 1520		
			OSB3 EN 300 $t \geq 18 \text{ mm}^{1)}$	Structural Timber EN 338 / C24 $t \geq 22 \text{ mm}^{2)}$	Plywood EN 636 $t \geq 18 \text{ mm}^{3)}$	C12/15	C25/30	setting depth \geq [mm]	pre-drill diameter [mm]	P 3.3	P 4.4	setting depth \geq [mm]	LAC 6, D 1,0	setting depth \geq [mm]	pre-drill diameter [mm]
Fastener	Stress Plate / Sleeve / Bar														
25A	TI-6,3	IF/IG-C-82x40	-	-	-	1,83	1,83	20	5,0	-	-	-	-	-	
						2,73	3,79	30							
25B	TI-6,3	ID-70x70	-	-	-	1,83	1,83	20	5,0	-	-	-	-	-	
						2,73	3,79	30							
26A	TI-T25-6,3	R75	-	-	-	1,42	1,42	20	5,0	-	-	-	-	-	
						1,42	1,42	30							
26B	TI-T25-6,3	TPS	-	-	-	1,42	1,42	20	5,0	-	-	-	-	-	
						1,42	1,42	30							
27A	TI-T25-6,3	R48-3N	-	-	-	1,42	1,42	20	5,0	-	-	-	-	-	
						1,42	1,42	30							
27B	TI-T25-6,3	R45	-	-	-	1,42	1,42	20	5,0	-	-	-	-	-	
						1,42	1,42	30							
28A	TIA-T25-6,3	R45	-	-	-	1,42	1,42	20	5,0	-	-	-	-	-	
28B	BS-4,8	Sarnafast Tube SFT-50	1,45	1,32	1,66	-	-	-	-	-	-	-	-	-	
29A	BS-4,8	Sarnafast Tube SBT-20 / Sarnabar	1,45	1,32	2,09	-	-	-	-	-	-	-	-	-	
29B	BS-S-4,8	Sarnafast Tube SFT-50	1,28	1,66	1,66	-	-	-	-	-	-	-	-	-	
30A	BS-S-4,8	Sarnafast Tube SBT-20 / Sarnabar	1,28	1,74	1,96	-	-	-	-	-	-	-	-	-	
30B	Sarnafast SF-4,8	Sarnafast KT-82x40	1,45	1,32	2,18	-	-	-	-	-	-	-	-	-	
31A	Sarnafast SF-4,8	Sarnafast DT-70x70	1,45	1,32	2,18	-	-	-	-	-	-	-	-	-	
31B	Sarnafast SBF-6,0	Sarnafast Tube SFT-50	1,32	1,66	1,66	0,72	1,45	32	5,0	0,35	0,58	75			

¹⁾ effective setting depth (penetration length of threaded part) $\geq 18 \text{ mm}$

²⁾ effective setting depth (penetration length of threaded part) $\geq 22 \text{ mm}$

³⁾ effective setting depth (penetration length of threaded part) $\geq 18 \text{ mm}$; minimum density = 400 kg/m^3